

# T5-600/T5-1000 Electrical Tester Instruction Card

## Warning

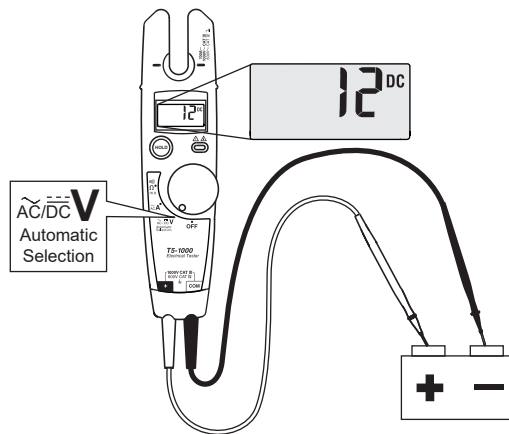
- Read the T5-600/T5-1000 Safety Sheet before using this tester.
- Před použitím této zkušebníky si přečtete bezpečnostní informace k modelu T5-600/T5-1000.
- Przed użyciem próbnika należy przeczytać instrukcje dotyczące bezpieczeństwa zamieszczone w dokumencie T5-600/T5-1000.
- Перед использованием данного измерительного прибора прочтите Инструкции по технике безопасности T5-600/T5-1000.
- Bu test cihazını kullanmadan önce T5-600/T5-1000 Güvenlik Broşürü'nü okuyun.
- اقرأ ورقة السلامة الخاصة بـ T5-600/T5-1000 قبل استخدام جهاز الاختبار هذا.

## Voltage Indicator



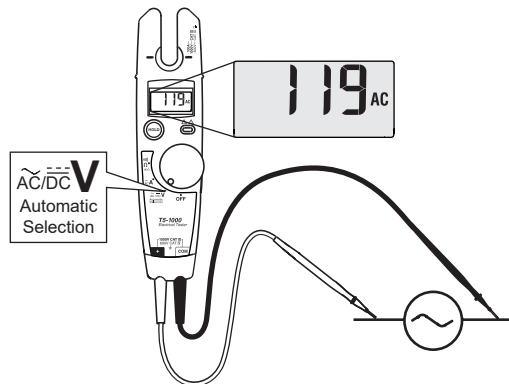
$\approx V$

T5-600 max: 600 V CAT III  
T5-1000 max: 1000 V CAT III, 600 V CAT IV

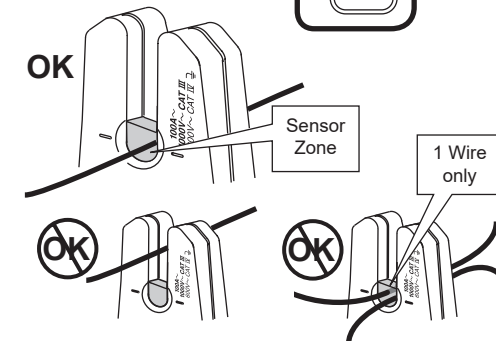
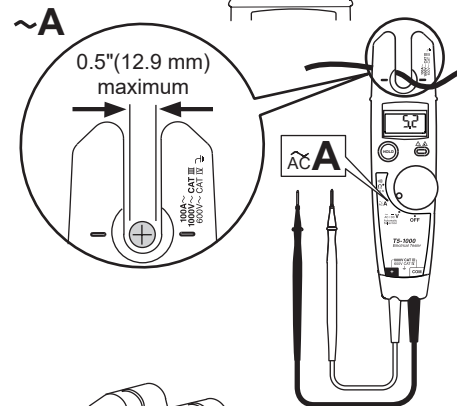
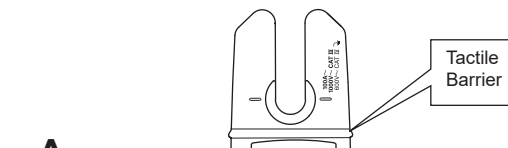
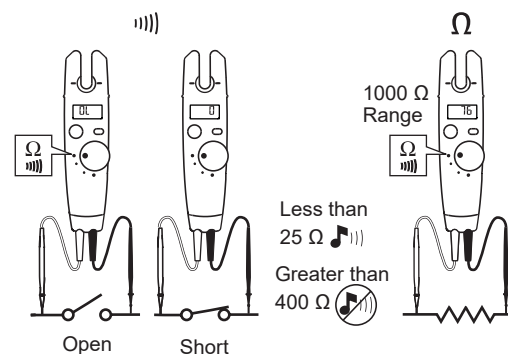


$\approx V$

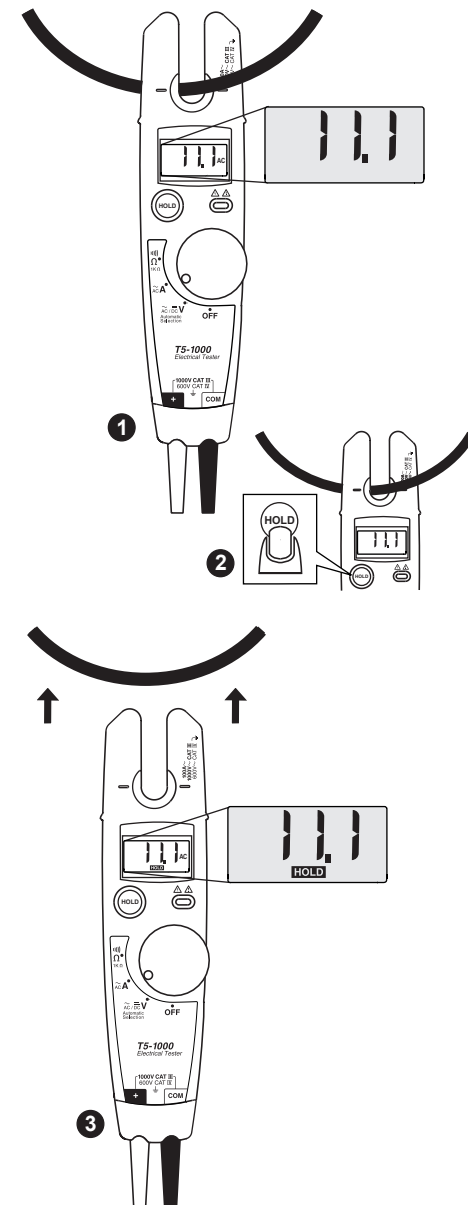
45 Hz - 66 Hz  
T5-600 max: 600 V rms CAT III  
T5-1000 max: 1000 V rms CAT III, 600 V rms CAT IV



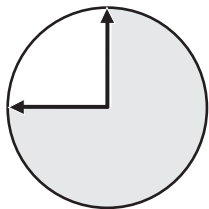
## Continuity $\text{|||}$ & Resistance $\Omega$



## Display HOLD

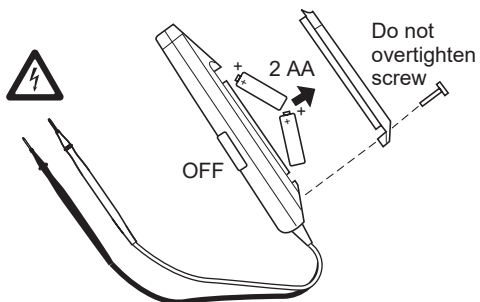
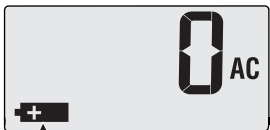


## Auto Off



45 min

LO +



## Warning

- Disconnect test leads from power source before opening battery door.
- Před otevřením krytu baterie odpojte od zdroje napájení měřicí přívody.
- Przed otwarciem wnęki baterii należy odłączyć przewody testowe od źródła zasilania.
- Перед тем как открыть крышку батарейного отсека, отсоедините измерительные провода.
- Pil kapağını açmadan önce test iletkenlerinin güç kaynağıyla bağlantısını kesin.
- قم بفصل أطراف الاختبار من مصدر الطاقة.

## Specifications

Specifications subject to change without notice.

<b>Calibration</b>	1-year calibration cycle
<b>Temperature Operating:</b> <b>Storage:</b>	-10 °C to +50 °C (14 °F to 122 °F) -30 °C to +60 °C (-22 °F to +140 °F)
<b>Altitude Operating:</b> <b>Storage:</b>	2000 m (6562 ft) 10,000 m (32808 ft)
<b>Relative Humidity</b>	0 % to 95 %, 5 °C to 30 °C (41 °F to 86 °F); 0 % to 75 %, 30 °C to 40 °C (86 °F to 104 °F); 0 % to 45 %, 40 °C to 50 °C (104 °F to 122 °F)
<b>Battery Type and Life</b>	AA (2); 360 hours continuous with alkaline; 125 hours continuous with zinc chloride
<b>RF Field Specification</b>	0.5 % full scale + (specified accuracy) at 3 V / m
<b>Enclosure Rating</b>	IP 40 per IEC 60529, no vacuum applied
<b>Temperature coefficient</b>	0.1 x (specified accuracy) / °C for <18 °C or >28 °C (< 64.4 °F or > 82.4 °F)
<b>Accuracy</b>	± ( [ % of reading ] + [ number of least significant digits ] ) Accuracy is specified for 1 year after calibration, at 18 °C to 28 °C (64 °F to 82 °F) with relative humidity to 90 %. AC conversions are ac-coupled, average responding, and calibrated to the rms value of a sine wave input.

Safety ..... IEC 61010-1: Pollution Degree 2  
Electromagnetic Environment ..... IEC 61326-1: Portable

Function	T5-600 Range (600 V CAT III)	T5-1000 Range (1000 V CAT III)	Resolution	Accuracy
$\tilde{V}$	600 V rms	1000 V rms	1 V	±(1.5 % + 2 digits) 45 Hz - 66 Hz
$\bar{V}$	600 V	1000 V	1 V	±(1 % + 1 digit)
$\tilde{A}$	100.0 A	100.0 A	0.1 A	±(3 % + 3 digits) 45 Hz - 66 Hz
$\Omega$	1000 $\Omega$	1000 $\Omega$	1 $\Omega$	±(1 % + 2 digits)

## Replacement Parts

Test Lead Assembly. Replace only with Fluke double-insulated leads (□) See "Accessories" for available probes.	PN 648029
Battery Door	PN 2091779
Battery Door Screw	PN 8758161

Use only specified replacement parts.

## Accessories

H5 Belt Holster  
TP1 Probe Set, Flat-Blade  
AC285 SureGrip™ Alligator Clips  
AC220 SureGrip™ Alligator Clips  
Service Information Sheet, PN 686953

Fluke Corporation operates worldwide. For local contact information, go to our website: [www.fluke.com](http://www.fluke.com)

To register your product, view, print, or download the latest manual or manual supplement, go to our website.

Fluke Corporation

P.O. Box 9090  
Everett, WA 98206-9090  
+1-425-446-5500  
[fluke-info@fluke.com](mailto:fluke-info@fluke.com)